

LD42, LD42W, LD42A, LD42R & LD42AR



Low Glare Miniature LED Recessed Wall Light

Data sheet - Page 1



Design: Stan Baxter Lighting Design Project: Private Residence Product: LD42A

The LD42 fittings are a range of miniature recessed LED wall lights, ideal for discreet lighting of steps and pathways in interior, exterior and yacht applications. Low glare is achieved with a 10mm recessed lens assembly within a black anodised body and can be further reduced with the addition of our optional glare shields and tilt film, which focuses the light onto the lit surface. New to the range is the ultra-low glare LD42R, featuring a 70% glare shield, or for a concentrated angled beam, the LD42AR combines a 70% glare shield with an integral 20° tilt film.

Key Features

- Very minimal body depth and bezel diameter
- Wide range of standard and custom bezel finishes
- High powered miniature LED
- High efficiency optics produce excellent beam spread and shape
- 10mm recessed LED position for reduced glare
- Glass fixed with hidden gasket means no unsightly glue line
- Optional half-moon glare shield (LD42W), combined half-moon glare shield and 20° tilt film (LD42A), 70% glare shield (LD42R) or combined 70% glare shield and 20° tilt film (LD42AR) available
- Hidden fixing options include spring clips or /480 first fix sleeve with O-rings
- Switched, 0-10V, Casambi, DMX, DALI or Mains dimmable drivers available

Specification

| Applications | | | | |
|---|--------------------------|------|-------|------|
| Beam Angles | 12°, 31°, 48°, 36° x 12° | | | |
| LED type | 1 x Cree XPG2 | | | |
| Colour temperature | 2200K* / 2700K* / 3000K | | 5000K | |
| Drive Current (mA) | 350 | 500 | 350 | 500 |
| LED power** (W) | 1.2W | 1.7W | 1.2W | 1.7W |
| CRI (typical) | 93 | 93 | 75 | 75 |
| Forward voltage (V ₁₀₀) | 3.0V | 3.2V | 3.0V | 3.2V |
| Delivered lumens (L ₁₀₀)*** | 88 | 120 | 107 | 146 |
| Lumens per circuit watt | 73 | 71 | 89 | 86 |

LED lifetime (to 70% lumen maintenance) 50,000hrs at a max ambient temperature of 35°C (if specifying fitting in ambient temperatures of up to 45°C run at 350mA max, LD42-350)

Materials Hard anodised aluminium body with machined stainless steel bezel

Glass 3.3mm thick borosilicate

Wiring Supplied pre-wired with 2x 150mm single core lead, can be specified with up to 3m of single core cable at extra cost

IP rating IP68 - Not suitable for permanent submersion. Please use the LD42A, which has fixing options designed for underwater installations.

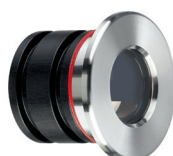
LD42



LD42W, LD42A



LD42R, LD42AR



* 2200K lumen output is 30% lower than the 3000K figure listed

* 2700K lumen output is 12% lower than the 3000K figure listed

4000K lumen output is 14% higher than the 3000K figure listed (80 CRI)

**LED wattage includes losses associated with using an 85% efficient driver

***LD42A and LD42W lumen output will be 40% less due to the glare shield

LD42R lumen output will be 77% less

LD42AR lumen output will be 73% less

LD42, LD42W, LD42A, LD42R & LD42AR



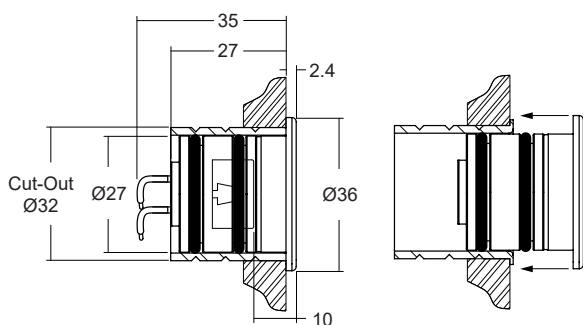
Low Glare Miniature LED Recessed Wall Light

Data sheet - Page 2

Dimensions and fixing options

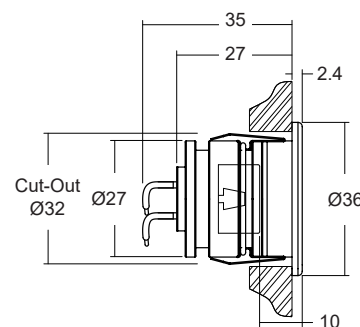
/480 - O-rings and sleeve.

Robust, watertight method of fixing.



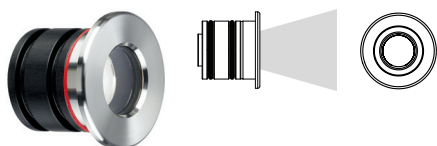
/SC - Spring clip fixing.

Suitable for most interior applications.



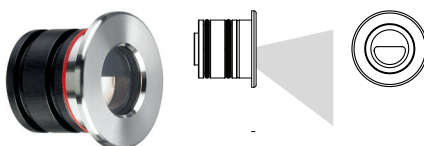
Glare control and light output options

LD42



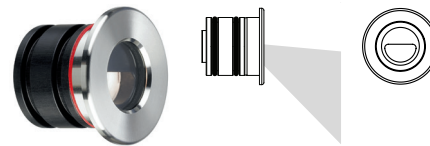
Circular aperture with lens and LED assembly recessed into the body by 10mm.

LD42W



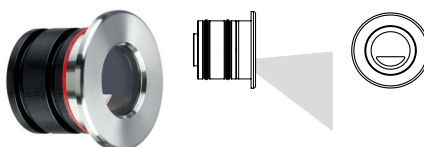
Addition of a half-moon glare shield in front of the lens to further reduce glare. Please note that the oval beam cannot be used with the LD42W.

LD42A



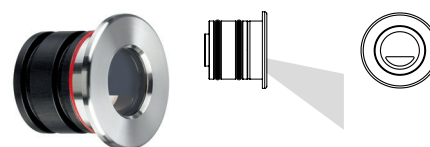
Features the LD42W half-moon glare shield, but with the addition of an integral 20° tilt film which angles the light down towards the lit surface. Please note that the oval beam cannot be used with the LD42A.

LD42R



Features a 70% glare shield for applications that require minimal output and glare. Please note that the oval beam cannot be used with the LD42R.

LD42AR



Features the LD42R 70% glare shield, but with the addition of an integral 20° tilt film which angles the light down towards the lit surface. Please note the LD42AR is only available in a narrow beam.

Photometrics

Photometric files are included in the design pack which can be downloaded from the LD42, LD42W, LD42A, LD42R and LD42AR product pages on the website.

LD42, LD42W, LD42A, LD42R & LD42AR



Low Glare Miniature LED Recessed Wall Light

Data sheet - Page 3

Order Codes and Options

| Product code | LED colour | Beam angle | Finish | Fixing |
|-------------------|------------|------------|--------|--------|
| LD42 -350 -500 | | | | |

Example: LD42A-350 / LW30 / MB / Stainless Steel / 480

Product codes with output options

| | | | |
|------------|------------|-------------------------|------------|
| 350mA 1.2W | LD42-350 | 500mA 1.7W | LD42-500 |
| | LD42W-350 | | LD42W-500 |
| | LD42A-350 | | LD42A-500 |
| | LD42R-350 | | LD42R-500 |
| | LD42AR-350 | (AR - narrow beam only) | LD42AR-500 |

LED colour options

| LED colour options | Suffix |
|----------------------------|--------|
| Super Warm White (2200K) | /LW22 |
| Extra warm White (2700K) | /LW27 |
| Warm White (3000K) | /LW30 |
| White (4000K) - on request | /LW40 |
| Cool White (5000K) | /LW50 |
| Blue | /LB |
| Green | /LG |
| Red | /LR |
| Amber | /LA |

*Other LED colour temperatures are available. Please speak to a member of our sales team.

Beam angle options

| | |
|--|-----|
| 12° narrow spot | /NB |
| 31° medium | /MB |
| 48° wide | /WB |
| 36° x 12° oval beam (only available with the LD42) | /OB |

Bezel finish options

Stainless steel 316
 Polished and passivated stainless steel (for marine environments)
 Flamed solid bronze (antique finish)
 Paint finish Silver / Black / White (RAL 9016) / Antique Bronze / Satin Antique Brass
 / Satin Brass / RAL finish

*See our finishes guide for other options

Fixing options

| | |
|------------------------------|------|
| Spring clips | /SC |
| First fix sleeve and O-rings | /480 |

Use with 350mA or 500mA constant current LED drivers

We have a wide range of dimmable LED drivers, 0-10V, Casambi, DMX, DALI and Mains dimmable. Please see the downloads section on our website:
 To run 1-14 LD42-350 in series use a TXDEL350D (0-10V dimmable)
 To run 1-14 LD42-500 in series use a TXDEL500D (0-10V dimmable)



Design: DPA Lighting Consultants Project: Langley Hotel & Spa Product: LD42W